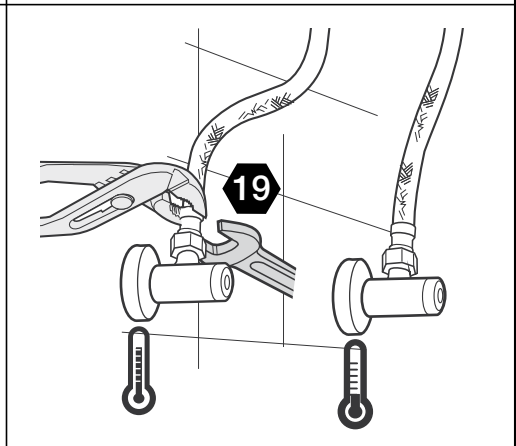
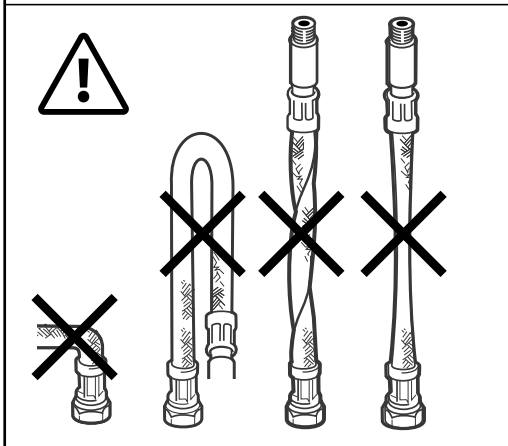
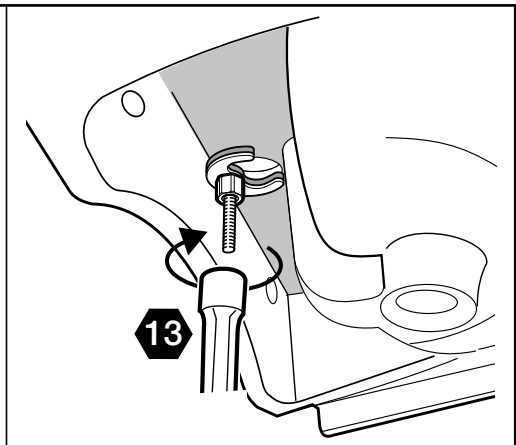
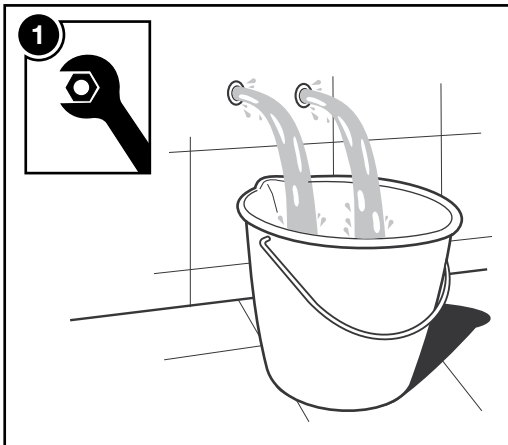


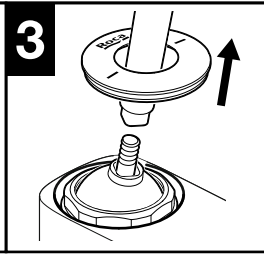
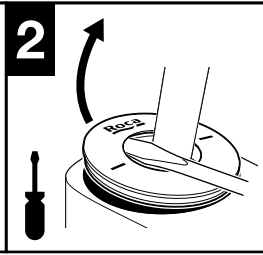
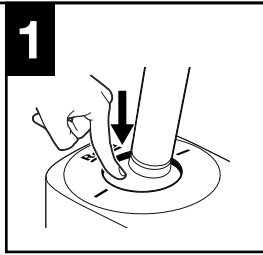
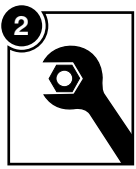
**Roca**

# PALS





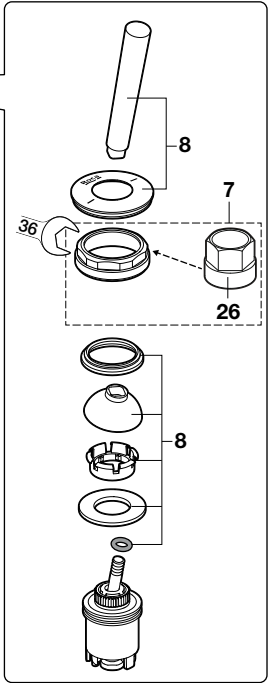
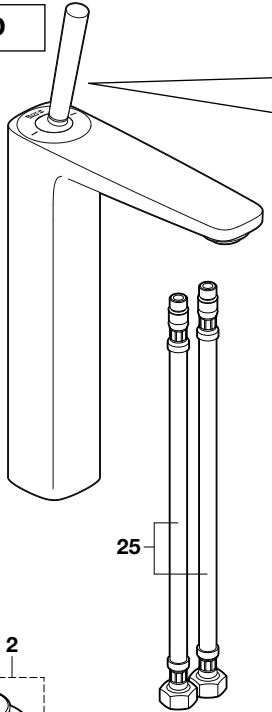
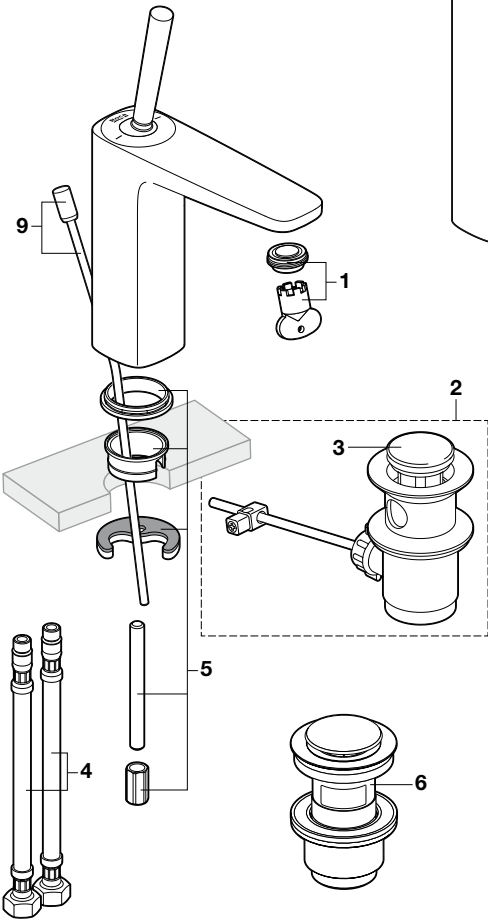
	<p>P bar</p>				
	<p>P bar</p>				
	<p>°C</p>				
	<p>l/min</p>				



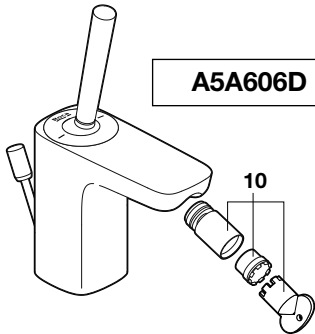
**A5A376D**

**A5A306D**

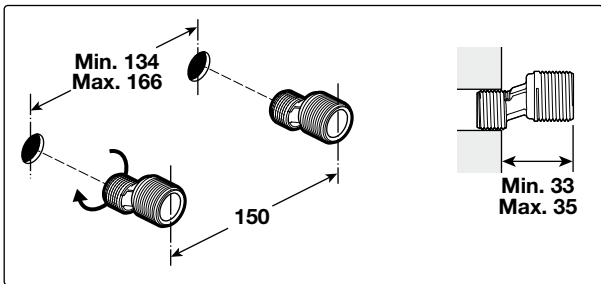
**A5A326D**



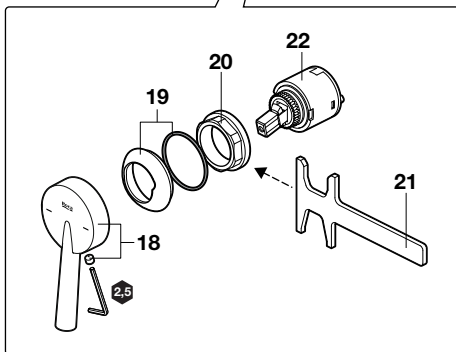
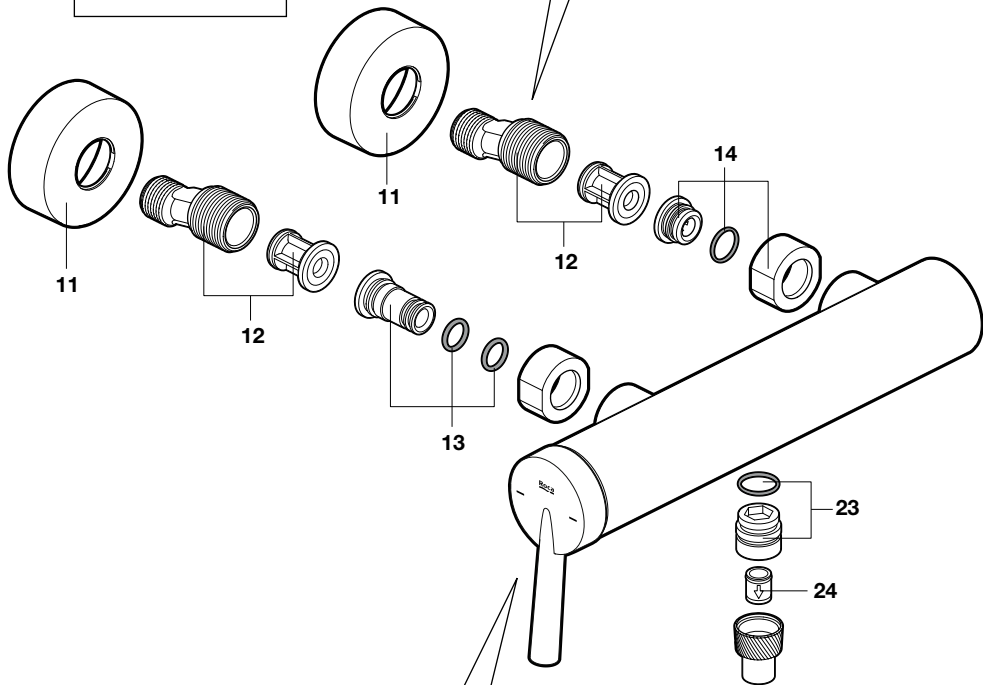
**A5A606D**



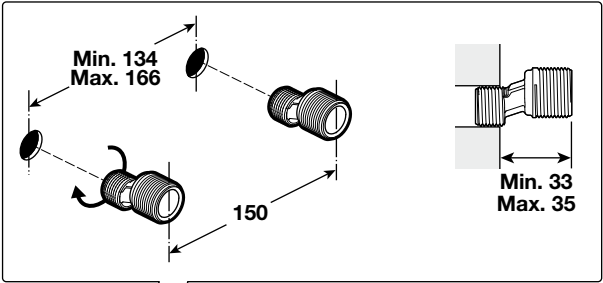
3



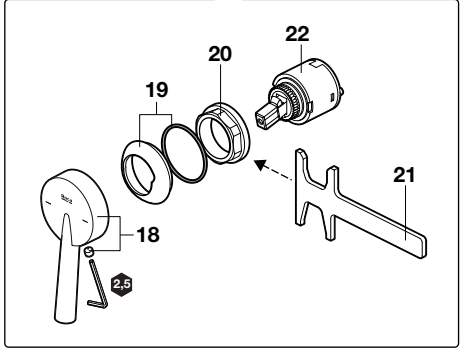
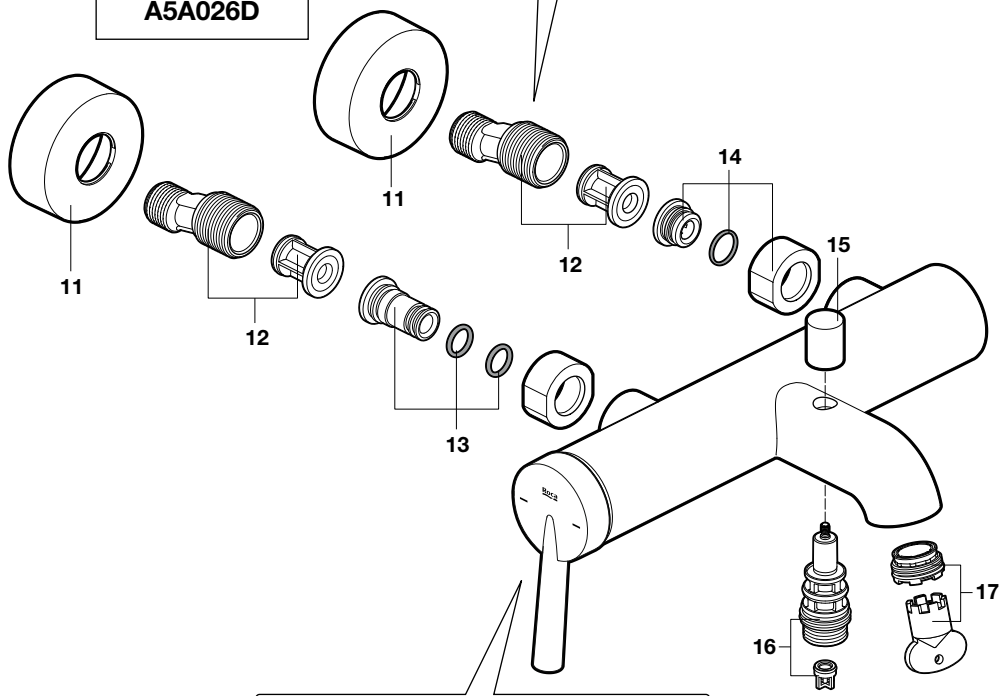
**A5A216D**



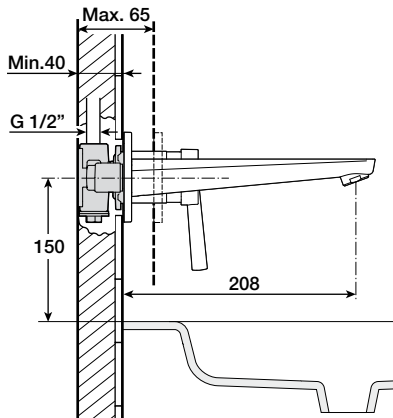
4



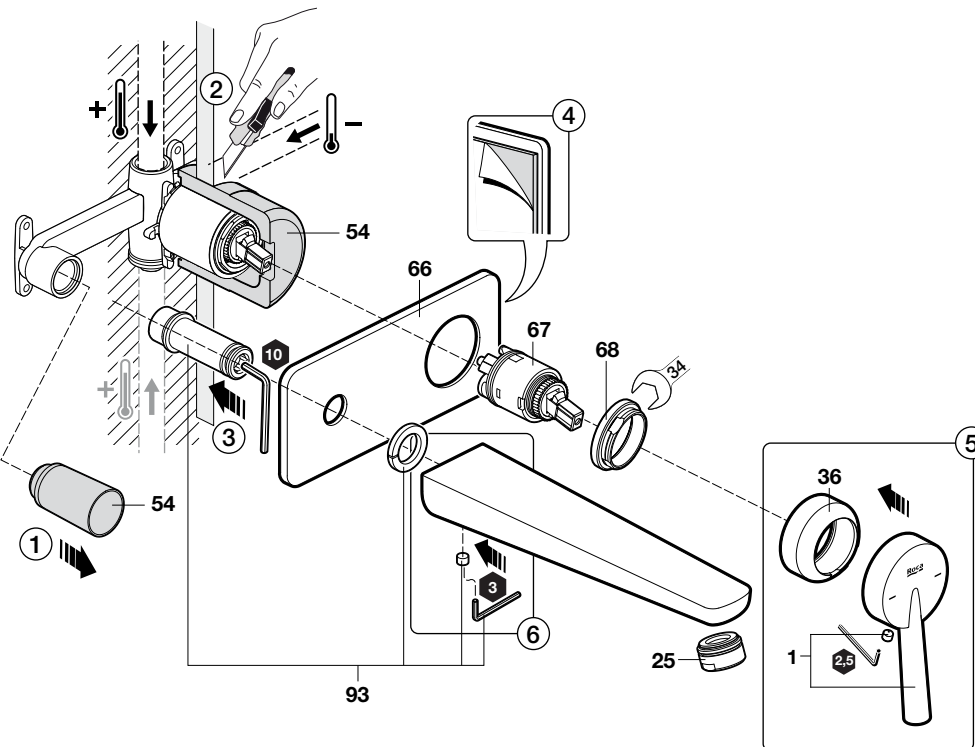
A5A026D



5



**A5A356D..0 + A525220603**





---

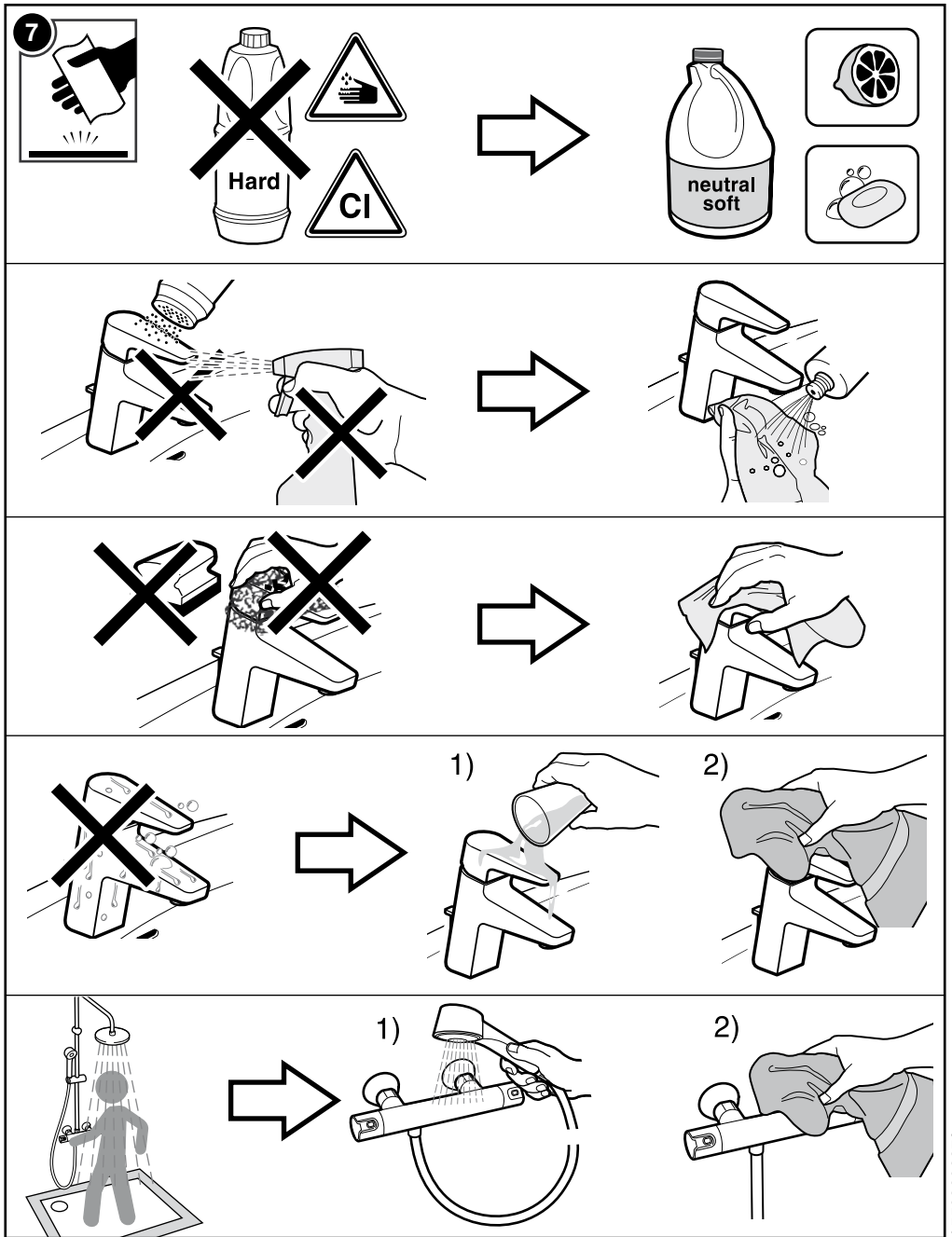
1	-	AG0134507R
2	-	AG0075300R
3	-	AG0096200R
4	-	A525020309
5	-	A525004403
6	-	A505400900
7	-	AG0216200R
8	-	AG0216300R
9	-	AG0002100R

---

10	-	A525003507
11	-	AG0116800R
12	-	AG0103908R
13	-	AG0126203R
14	-	A525005200
15	-	AG0116700R
16	-	AG0116500R
17	-	A525087607
18	-	AG0216500R

---

19	-	AG0216600R
20	-	AG0126303R
21	-	A525087203
22	-	AG0110607R
23	-	A525024200
24	-	A525005507
25	-	A525020409
26	-	AG0136200R



A553082807f



Roca Sanitario, S.A.  
 Avda. Diagonal, 513  
 08029 Barcelona  
 SPAIN  
 www.roca.com

**933** LÍNEA DE ATENCIÓN  
**661** AL CONSUMIDOR  
**266** ESPAÑA

SERVICIO TÉCNICO  
 ESPAÑA

productsupport.rs@roca.net  
 soporteproducto.rs@roca.net